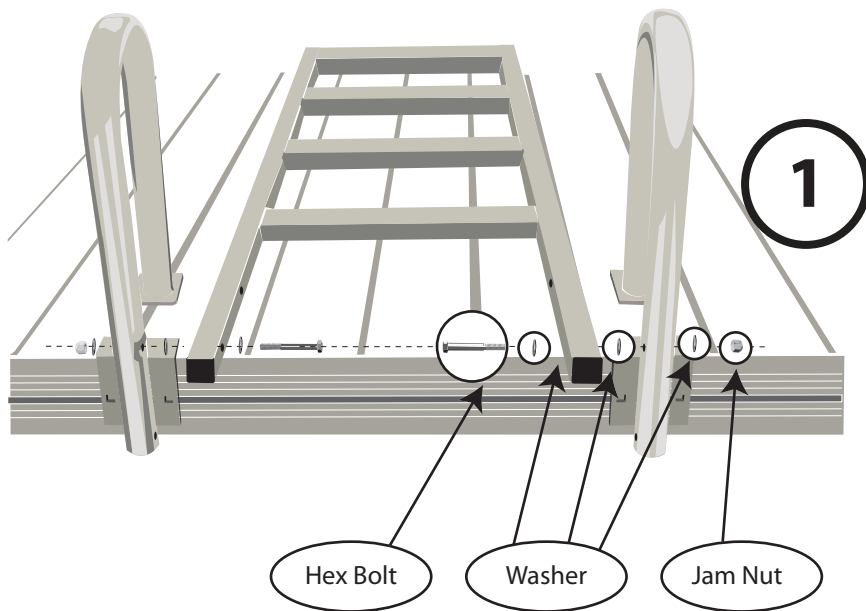


9078FL

Vertical FeatherLITE



The vertical ladder can be installed along the side or end of a FeatherLITE dock section. Lay the ladder on the deck where you want it installed.

The bolt holes will be closer to the dock when the ladder swings down so you will need to lay the ladder down on the deck with the bolt holes nearest the top.

If you get this wrong, the ladder will not swing down.

Next, insert the two bolts that hold the top of the ladder to the ladder handles. To achieve the proper tightness, three washers will be used as spacers on each bolt.

You should put one under the head of the bolt and under the nut and then have one sandwiched between the ladder and the handle.

The bolts should be tightened into the nylock portion of the Jam Nuts

In the bolt kit bag are two threaded bars that are to be inserted into the track on the side of the dock frame.

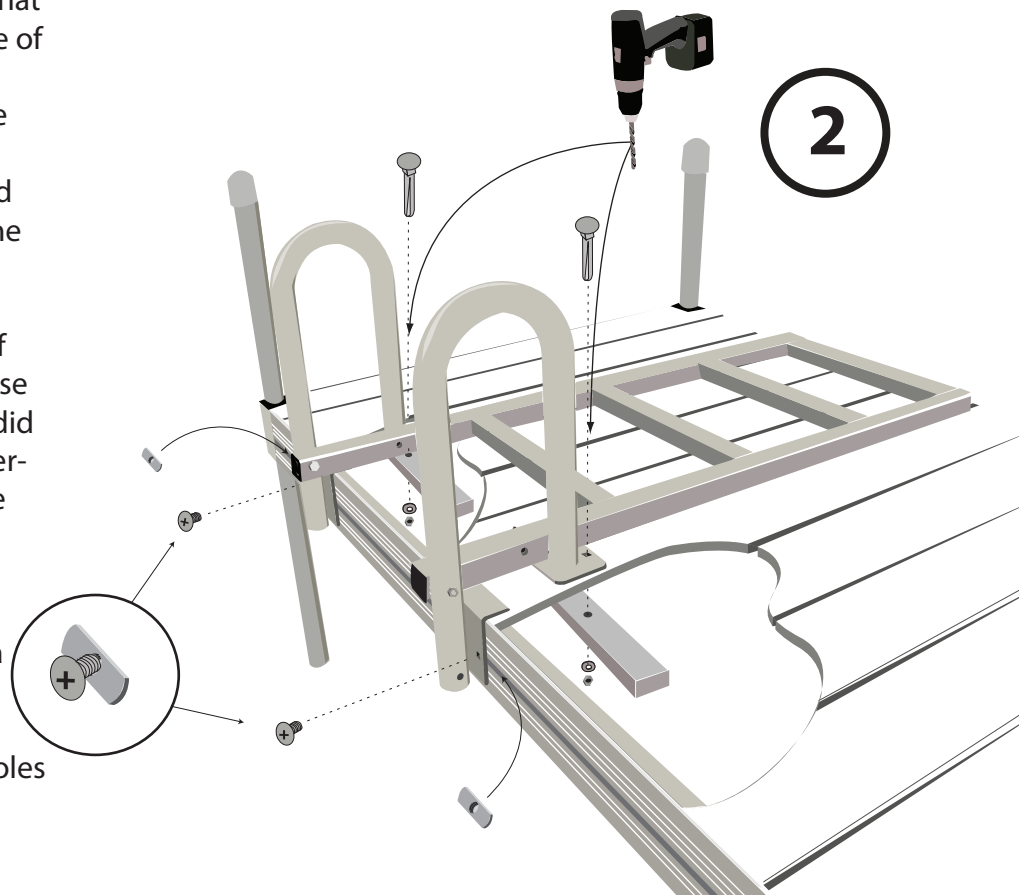
Insert them with the nipple facing into the track.

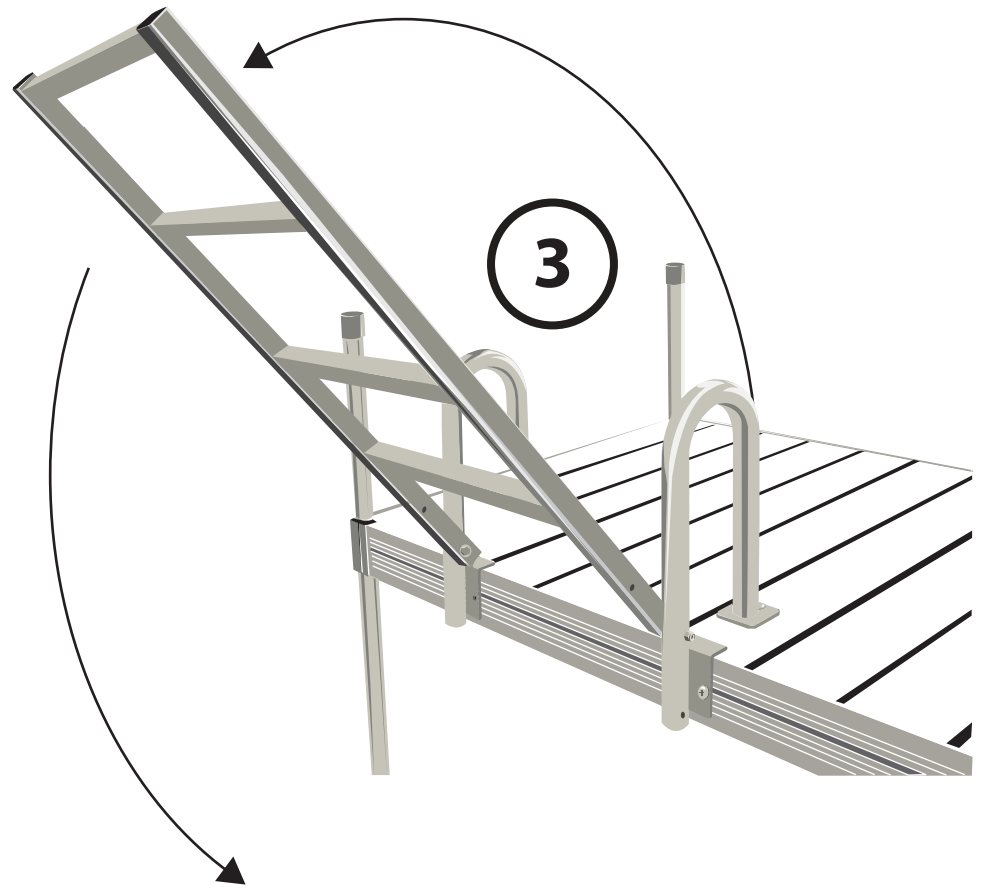
The short truss head bolts can be threaded into these for securing the lower part of the ladder handles while 2 carriage bolts are used to secure the top portion.

Do not use the extra holes on the inside of the handles, These are simply there because there are no left and right handles, If you did insert bolts in those holes, they would interfere with the ladder swinging down all the way.

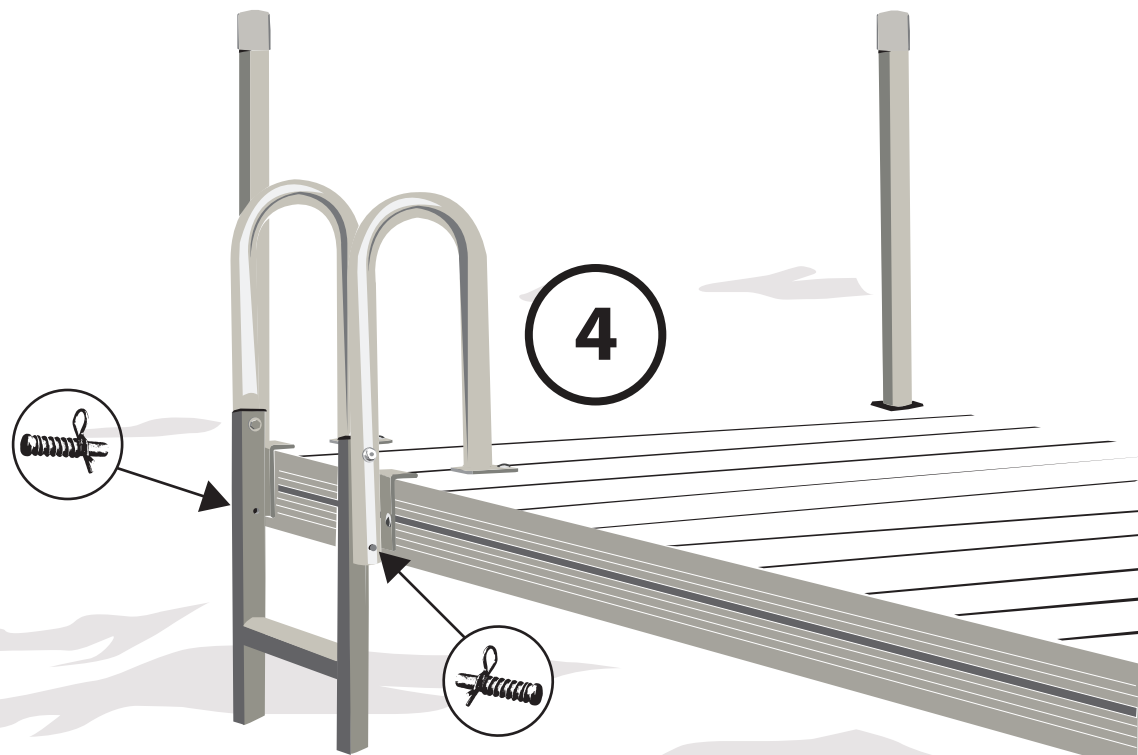
Using a battery powered drill, make two holes through the deck for the top of the ladder handles to be bolted. You can use a block of wood or a flat bar/plate to span under the decking for reinforcement.

If you have ThruFlow decking, your bolt holes may not need to be drilled out.





Once the ladder is bolted to the handles and the handles are bolted to the dock, you should be able to swing the ladder up and over. Keep hands free and clear from being pinched while the ladder is in motion. To prevent motion and pinching, there is a spring pin located in the lower part of the ladder handle.



To make it easy to get the spring pins into the ladder, pull them back and offset them in the hole so they will not spring back. You can then swing the ladder to the down position and release the spring pins through the holes in the handles and into the holes on the ladder. The ladder is ready for use.