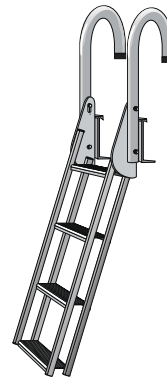


Great Northern Docks

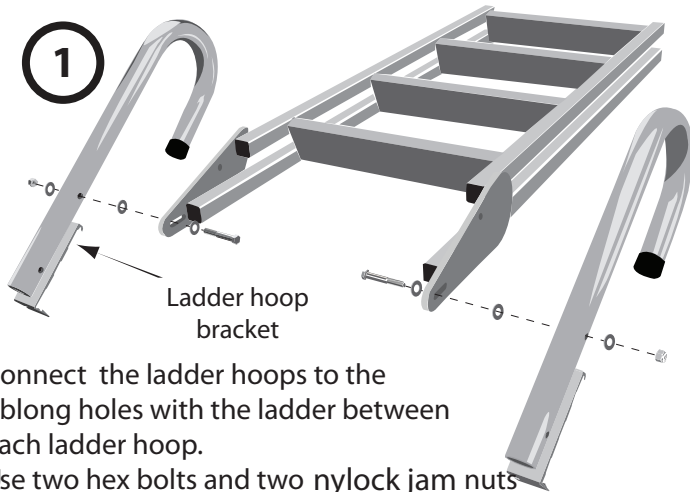
Assembly Instructions

for DuraLITE

20° Aluminum Ladder #9079DL



1



Ladder hoop bracket

Connect the ladder hoops to the oblong holes with the ladder between each ladder hoop.

Use two hex bolts and two nylock jam nuts from the ladder bolt kit bag.

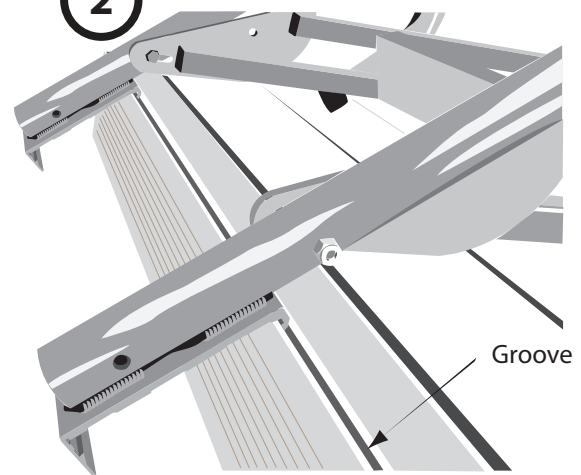
Threaded ends of all bolts should point to the outside of the ladder to avoid the path of swimmers.

Place a stainless washer on the bolts between the ladder and the hoop to allow the ladder to swing up and down without grinding.

Place washers on each end of the bolts.

Tighten nuts and bolts before using the ladder

2



Groove

With the ladder assembled as shown in figure 2, you will be able to place the ladder hoop brackets into the large groove located on the top edge of the DuraLITE frame.

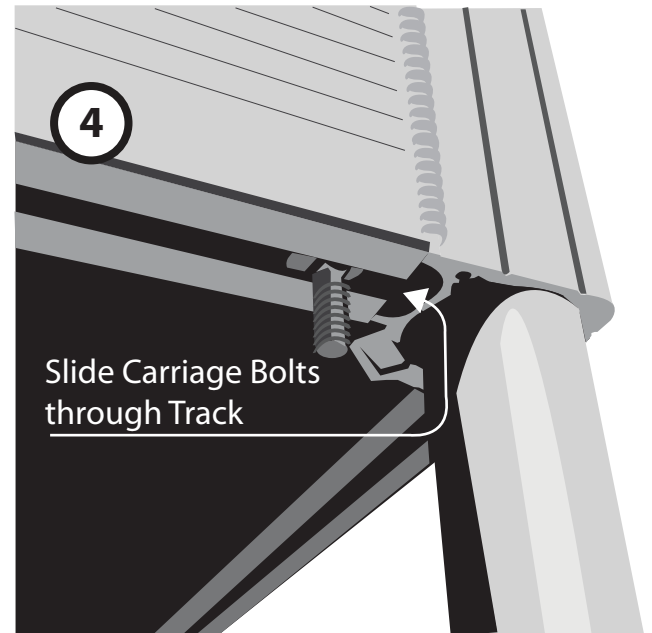
3



Lay the assembled ladder on the dock in the flipped up position so you do not have to hold it while trying to attach it.

Having it assembled will space the hoops the right distance apart from each other.

4



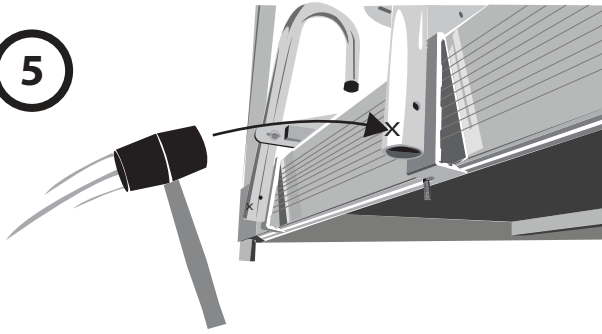
Slide Carriage Bolts through Track

Slide two carriage bolts from the ladder bolt kit bag through the end of the track located on the bottom of the DuraLITE frame.

The head of the bolt needs to be inserted at a 45° angle in order to fit through the opening.

These two bolts are to secure the ladder hoops once they are attached.

5



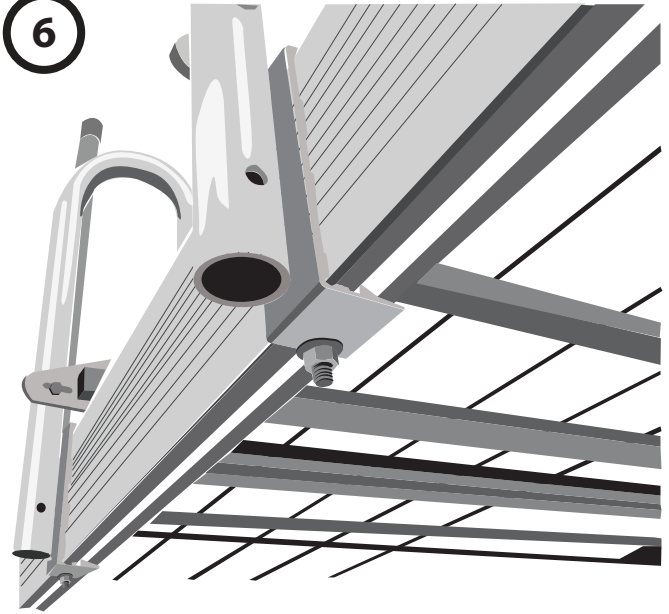
The ladder hoop brackets have a notched opening that will accept the carriage bolts you placed in the track on step 4.

Make sure your bolts are slid to the notched side of the hoop bracket before snapping the hoops onto the dock frame.

To Snap the hoop into place, you can pull back on the top of the hoop while thumping on the lower part of the hoop (marked X above) until you hear it click into the track.

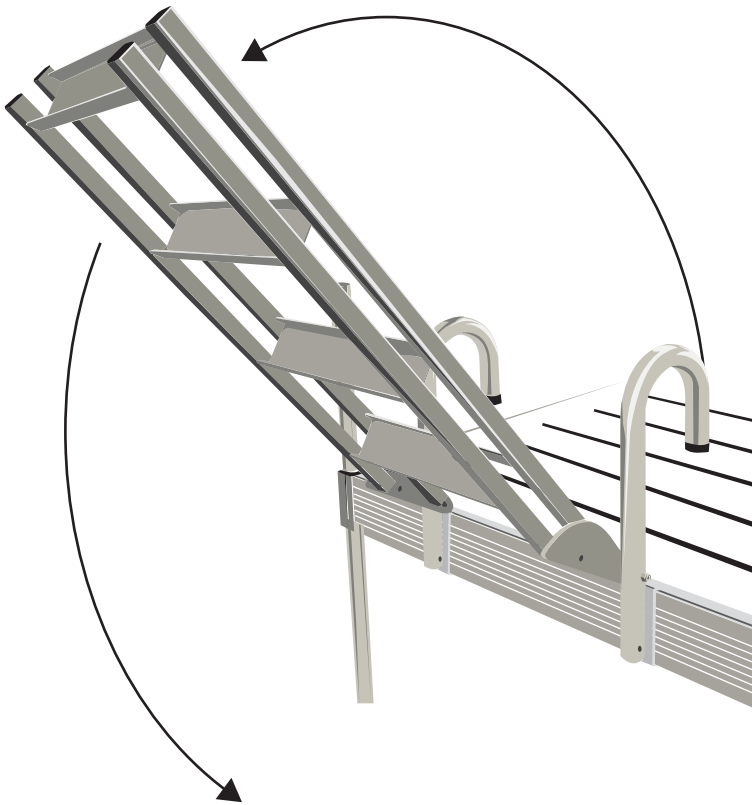
If you want to remove the ladder from the aluminum dock frame, pry the lower tab downward with a screw driver just enough to pop the hoops off while pushing the top of the hoop forward over the dock.

6



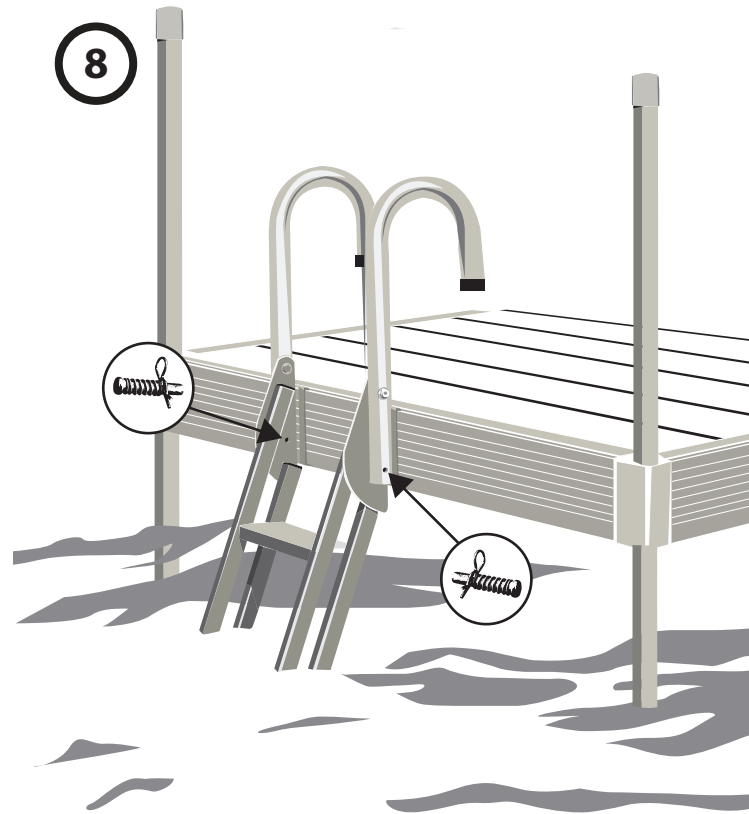
If you are satisfied with the location of your ladder, slide the carriage bolts into the notched openings on the lower tabs of the hoop brackets. Secure them with a washer and nut from your ladder bolt kit bag.

7



Your Ladder is easy to flip up or down by pulling it to the end of the ladders' oblong holes.

8



Retract the "Ladder Spring Pins" to get the ladder in the down position. You can offset the pin in the hole to hold the spring while swinging the ladder down. Release the pins from the offset position to keep the ladder from moving while in the down position.